

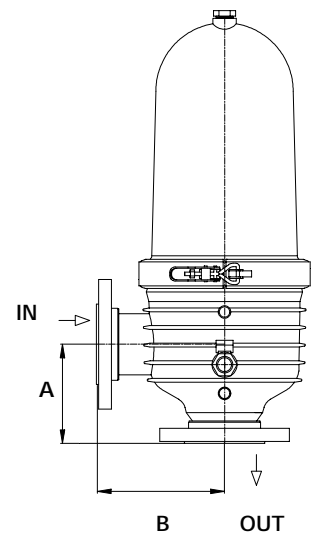
ARKAL 3" ANGLE FILTER

CAT. NO. 1360 0__ THREADED CONNECTION
 1360 1__ VICTAULIC CONNECTION
 1360 5__ ASA QUICK FLANGE
 1360 6__ BSTD QUICK FLANGE
 1360 7__ DIN QUICK FLANGE



TECHNICAL DATA

INLET/OUTLET DIAM.	88.9 mm / 3"	3"
END CONNECTIONS (OPTIONAL)	3" FLANGE BSTD/DIN	3" ASA
	3" VICTAULIC	3" VICTAULIC
RECOMMENDED MAX. PRESSURE	10 BAR	140 PSI
MAX. FLOW RATE	50 m ³ /h	220 GPM
GENERAL FILTRATION AREA	1852 CM ²	287 IN ²
FILTRATION VOLUME	1744 CM ³	106 IN ³
LENGTH OF FILTER	631 mm	24 27/32"
WIDTH OF FILTER	250 mm	9 27/32"
DISTANCE BETWEEN END CONNECTIONS (A)	145 mm	5 11/16"
DISTANCE BETWEEN END CONNECTIONS (B)	187 mm	7 3/8"
OUTER DIAM. OF FILTER ELEMENT	170 mm	5 11/16"
LENGTH OF FILTER ELEMENT	347 mm	13 21/32"
WEIGHT (THREADED/VICTAULIC CONNECTION)	9.9 kg	22 LBS
WEIGHT WITH QUICK FLANGES	14.1 kg	31 LBS



HEAD LOSSES - METRIC UNITS (BAR)

COLOUR	MESH	MICRON	10 m ³ /h	20 m ³ /h	30 m ³ /h	40 m ³ /h	50 m ³ /h
WHITE	18	800		0.019	0.036	0.057	0.082
BLUE	40	400		0.021	0.040	0.063	0.090
YELLOW	80	200		0.029	0.054	0.086	0.122
RED	120	130		0.029	0.054	0.086	0.122
BLACK	140	100	0.014	0.040	0.075	0.119	0.169
GREEN		55	0.024	0.070	0.132		
GREY		20	0.052	0.152			

HEAD LOSSES - U.S. STANDARD (PSI)

COLOUR	MESH	MICRON	50 GPM	100 GPM	150 GPM	200 GPM	250 GPM
WHITE	18	800		0.35	0.65	1.00	1.40
BLUE	40	400		0.38	0.70	1.10	1.50
YELLOW	80	200		0.52	0.98	1.50	2.20
RED	120	130		0.52	0.98	1.50	2.20
BLACK	140	100	0.24	0.71	1.40	2.20	3.20
GREEN		55	0.41	1.30	2.20		
GREY		20	0.88	2.90			